

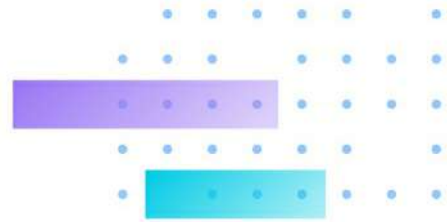
MA9322-EHTVL

Multi-Sensor Adjustable Dome Network Camera

20MP Total Resolution • Multi-Directional • Adjustable Views • 30M IR • WDR Pro • SNV • NDAA

- H.265 Compression Technology
- 4x 5MP Independent Sensors, Adjustable Views
- 12 fps @ 2688x1920 per Sensor / 30 fps @ 2560x1440 per Sensor
- WDR Pro (120 dB) for Optimal Image Quality in High Contrast Environments
- SNV (Supreme Night Visibility) for Low Light Conditions
- Built-in IR Illuminators, Effective up to 30 Meters Radius
- Weather-proof IP66-rated, Vandal-proof IK10-rated, NEMA 4X Housing
- Built-in Microphone





Technical Specifications

System Information

Model	MA9322-EHTVL
CPU	Multimedia SoC (System-on-Chip)
Flash	1 GB
RAM	4 GB

Camera Features

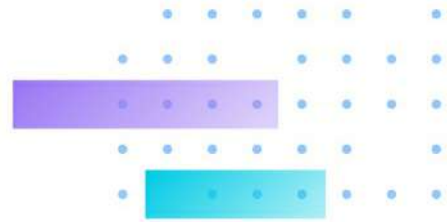
Image Sensor	1/2.7" Progressive CMOS
Max. Resolution	2688x1920 (5MP) x 4
Lens Type	Motorized, Vari-Focal, Remote Focus
Focal Length	f = 3.7 ~ 7.7 mm
Aperture	F1.9 ~ F2.9
Iris Type	Fixed-iris
Field of View	88.6° ~ 40.1° (Horizontal) 61.2° ~ 28.6° (Vertical) 115.5° ~ 49.5° (Diagonal)
Shutter Time	1/5 sec. to 1/32,000 sec.
WDR Technology	WDR Pro
Day/Night	Yes
Removable IR-cut Filter	Yes
IR Illuminators	Built-in IR illuminators, effective up to 30 meters with Smart IR
Minimum Illumination	0.035 lux @ F1.9 (Color) 0.005 lux @ F1.9 (B/W) 0 lux with IR Illuminators on
Tilt Range	0° ~ 105° each lens
Rotation Range	±90° each lens
Pan/Tilt/Zoom Functionalities	ePTZ: 48x digital zoom (4x on IE plug-in, 12x built-in)
Storage	Seamless Recording to MicroSD/SDHC/SDXC card and recording to network-attached storage (NAS)
Built-in Installation Aids	Remote Focus, Remote Zoom

Video

Video Compression	H.265, H.264, MJPEG
Maximum Frame Rate	12 fps @ (2688x1920) x 4 30 fps @ (2560x1440) x 4
Maximum Streams	2 simultaneous streams* per channel; max total 13 profiles * Stream 1: 2688x1920, 2560x1920, 2160x1536, 2048x1536, 1680x1200, 1600x1200, 1344x960, 1280x960, 672x480, 640x480 * Stream 2: 1280x960, 672x480, 640x480
S/N Ratio	60.4 dB
Dynamic Range	120 dB
Video Streaming	Adjustable resolution, quality and constant bit rate control
Image Settings	General settings: video title and time stamp overlay, video orientation (flip, mirror), day/night settings; Illuminators: illuminators, anti-overexposure; Image settings: white balance, image adjustment (brightness, contrast, saturation, sharpness, gamma curve), defog, 3DNR, HLM; Exposure: BLC, HLC, exposure control (exposure level, iris adjustment, exposure time, gain control), AE speed adjustment, WDR; Privacy mask; Scheduled profile settings

Audio

Audio Capability	Two-way Audio (full duplex)
Audio Compression	G.711, G.726
Audio Interface	Built-in microphone External microphone input* External line output* * Requires AO-006 cable
Effective Range	5 meters



Network

Users	Live viewing for up to 20 clients
Security	Access list, digest authentication, HTTPS, IEEE 802.1x, Password protection, user access log, user account management
Protocols	802.1X, ARP, CIFS/SMB, CoS, DDNS, DHCP, DNS, FTP, HTTP, HTTPS, ICMP, IGMP, IPv4, IPv6, NTP, PPPoE, QoS (CoS/DSCP), RTSP/RTP/RTCP, SMTP, SNMP, SSL, TCP/IP, TLS, UDP, UPnP
Interface	10 Base-T/100 Base-TX/1000 Base-T Ethernet (RJ-45) * It is highly recommended to use standard CAT5e & CAT6 cables which are compliant with the 3P/ETL standard.
ONVIF	-

Solution Integration

Video Motion Detection	Five-window video motion detection
------------------------	------------------------------------

Alarm and Event

Event Trigger	Audio detection*, camera tampering detection, digital input*, manual trigger, motion detection, periodical trigger, recording notification, SD card life expectancy, system boot * Requires AO-006 cable
Event Action	Event notification via audio clip*, camera link, digital output, email, HTTP, FTP, NAS server, SD card File upload via email, HTTP, FTP, NAS server, SD card * Requires AO-006 cable

General

Connectors	RJ-45 cable connector for 10/100/1000 Mbps PoE network connection Audio input* Audio output* AC 24V power input* Digital input* Digital output* * Requires AO-006 cable
LED Indicator	System power and status indicator
Power Input	AC 24V IEEE 802.3 at PoE
Power Consumption	AC: Max. 25 W PoE: Max. 25 W
Dimensions	Ø 267x114 mm (main body) Ø 275x118 mm (w/ bracket)
Weight	2.7 kg
Certifications	EMC: CE (EN55032 Class A, EN55024), FCC (FCC Part 15 Subpart B Class A), RCM (AS/NZS CISPR 32 Class A), VCCI (VCCI-CISPR 32 Class A); UKCA, ICES-003 issue 7; Safety: UL (UL 62368-1), CB (IEC/EN 62368-1, IEC/EN 60950-22, IEC/EN 62471); Environment: IK10 (IEC 62262), IP66 (IEC 60529), NEMA (NEMA 250 Type 4X)
Operating Temperature	Start Temperature: -30°C ~ 50°C (-22°F ~ 122°F) Working temperature: -40°C ~ 50°C (-40°F ~ 122°F)
Humidity	90%
Warranty	36 months

System Requirements

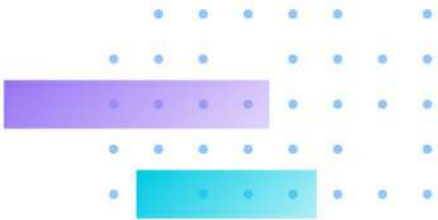
Operating System	Microsoft Windows 10/8/7 Mac 10.12 (Chrome only)
Web Browser	Chrome 58.0 or above Internet Explorer 10/11
Other Players	VLC: 1.1.11 or above

Included Accessories

Packing Contents	Quick installation guide, alignment sticker, desiccant bag, screw driver, screws pack
------------------	---

DORI (EN 62676-4 Standard)

Detect (25PPM/ 8PPF)	Wide: 74.0 m (242.8 ft) Tele: 153.9 m (505.0 ft)
Observe (63PPM/ 19PPF)	Wide: 29.3 m (96.1 ft) Tele: 61.1 m (200.4 ft)
Recognize (125PPM/ 38PPF)	Wide: 14.8 m (48.6 ft) Tele: 30.8 m (101.0 ft)

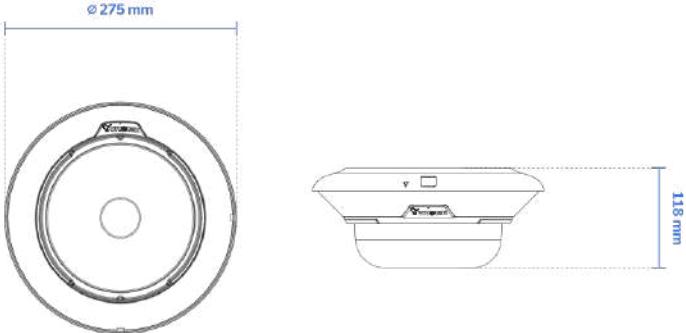


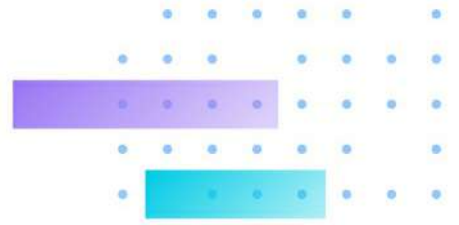
Identify (250PPM 76PPF)

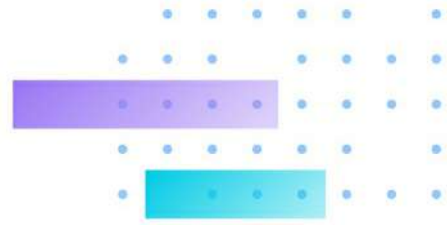
Wide: 7.4 m (24.3 ft)

Tele: 15.4 m (50.5 ft)

Dimensions







Compatible Accessories

Mounting Kits



AM-529
Pendant Mount Adapter

Mounting Kits



AM-116
Pendant Pipe (20cm) (1-1/2" PS)

Mounting Kits



AM-117
Pendant Pipe (40cm) (1-1/2" PS)

Mounting Kits



AM-114
Pendant Head (Outdoor)

Mounting Kits



AM-21C
Wall Mount Bracket

Mounting Kits



AM-314
Pole Mount Bracket

Mounting Kits



AM-414
Corner Mount Bracket

Mounting Kits



AM-10F
Recessed Kit for Multi-Sensor Camera

Cables



AO-006
IO Cable for MA9321-EHTV/MA9322-EHTV