

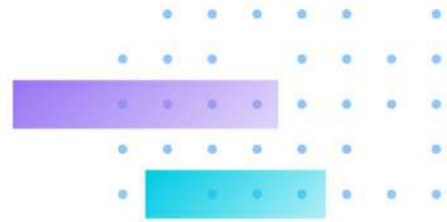
# FD9365-EHTV-A

Fixed Dome Network Camera

2MP 60fps • Smart Stream III • SNV • WDR Pro • 50M IR • Smart IR II • Smart VCA

- 60 fps @ 1920x1080
- H.265 Compression Technology
- Smart Stream III to Optimize Bandwidth Efficiency
- SNV (Supreme Night Visibility) for Low Light Conditions
- WDR Pro to Provide Extreme Visibility in Extremely Bright or Dark Environments
- Built-in IR illuminators, effective up to 50 meters
- Smart IR II Technology to Avoid Overexposure
- Smart Motion Detection to Reduce False Alarms
- Trend Micro IoT Security
- Smart VCA (Intrusion Detection, Loitering Detection, Line Crossing Detection)
- Weather-proof IP66, IP67 and Vandal-proof IK10-rated Housing





# Technical Specifications

## System Information

|       |                                 |
|-------|---------------------------------|
| Model | FD9365-EHTV-A                   |
| CPU   | Multimedia SoC (System-on-Chip) |
| Flash | 256 MB                          |
| RAM   | 1 GB                            |

## Camera Features

|                               |   |
|-------------------------------|---|
| Image Sensor                  | 1/2" Progressive CMOS   |
| Max. Resolution               | 1920x1080 (2MP)   |
| Lens Type                     | Motorized, Vari-focal, Remote Focus   |
| Focal Length                  | f = 4 ~ 9 mm<br>(f = 2.8 ~ 11.4 mm, equivalent focal length @ 1/2.8")                             |
| Aperture                      | F1.3 ~ F2.2   |
| Iris Type                     | P-iris  |
| Field of View                 | 120° ~ 46° (Horizontal)<br>60° ~ 26° (Vertical)<br>152° ~ 53° (Diagonal)                          |
| Shutter Time                  | 1/5 sec. to 1/32,000 sec.   |
| WDR Technology                | WDR Pro   |
| Day/Night                     | Yes   |
| Removable IR-cut Filter       | Yes   |
| IR Illuminators               | Built-in IR illuminators, effective up to 50 meters with Smart IR II, IR LED*4                    |
| Minimum Illumination          | 0.015 lux @ F1.3 (Color)<br><0.005 lux @ F1.3 (B/W)<br>0 lux with IR illumination on              |
| Pan Range                     | 350°  |
| Tilt Range                    | 60°   |
| Rotation Range                | ±175°   |
| Pan/Tilt/Zoom Functionalities | ePTZ: 48x digital zoom (4x on IE plug-in, 12x built-in)   |
| Storage                       | Seamless Recording to MicroSD/SDHC/SDXC card slot and recording to network-attached storage (NAS) |
| Built-in Installation Aids    | Remote focus, remote zoom, CVBS   |

## Video

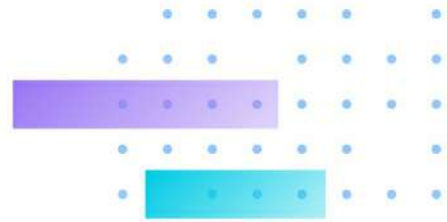
|                    |  |
|--------------------|--|
| Video Compression  | H.265, H.264, MJPEG  |
| Maximum Frame Rate | 60 fps @ 1920x1080   |
| Maximum Streams    | 3 simultaneous streams   |
| S/N Ratio          | 68 dB  |
| Dynamic Range      | 120 dB   |
| Video Streaming    | Adjustable resolution, quality and constant bit rate control, Smart Stream III   |
| Image Settings     | General settings: video title and time stamp overlay, video orientation (flip, mirror, rotation), day/night settings; Illuminators: illuminators, anti-overexposure; Image settings: white balance, image adjustment (brightness, contrast, saturation, sharpness, gamma curve), defog, 3DNR; Exposure: BLC, HLC, exposure control (exposure level, iris adjustment, exposure time, gain control, iris mode), AE speed adjustment, WDR; Focus: zoom, focus; Privacy mask; Scheduled profile settings |

## Audio

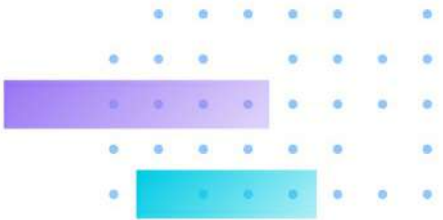
|                   |  |
|-------------------|--|
| Audio Capability  | Two-way Audio (full duplex)  |
| Audio Compression | G.711, G.726   |
| Audio Interface   | Built-in microphone<br>External microphone input<br>External line output |
| Effective Range   | 5 meters   |

## Network

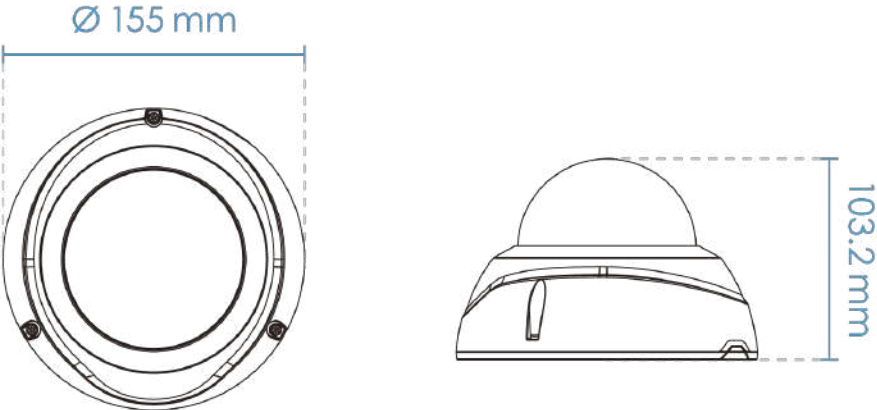
|       |                                   |
|-------|-----------------------------------|
| Users | Live viewing for up to 10 clients |
|-------|-----------------------------------|



|                             |   |
|-----------------------------|---|
| Security                    | Access list, digest authentication, HTTPS , IEEE 802.1x, password protection, Trend Micro IoT Security (brute force attack event, cyberattack event, quarantine event), user access log, user account management  |
| Protocols                   | 802.1X, ARP, Bonjour, CIFS/SMB, DDNS, DHCP, DNS, FTP, HTTP, HTTPS, ICMP, IGMP, IPv4, IPv6, NTCIP, NTP, PPPoE, QoS (CoS/DSCP), RTSP/RTP/RTCP, SMTP, SNMP, SSL, TCP/IP, TLS 1.2, UDP, UPnP  |
| Interface                   | 10 Base-T/100 Base-TX Ethernet (RJ-45)<br>*It is highly recommended to use standard CAT5e & CAT6 cables which are compliant with the 3P/ETL standard.   |
| ONVIF                       | Profile G, S supported, specification available at <a href="http://www.onvif.org">www.onvif.org</a>   |
| <b>Solution Integration</b> |   |
| Smart Motion Detection      | Five-window video motion detection, people detection, time filter   |
| Smart VCA                   | Intrusion detection, loitering detection, line crossing detection, unattended object detection, missing object detection, face detection, crowd detection, running detection  |
| VADP Package                | Deep Learning VCA (Smart Motion Detection, Smart VCA), Stratocast, Trend Micro IoT Security (3-year free trial)   |
| <b>Alarm and Event</b>      |   |
| Event Trigger               | Audio detection, camera tampering detection, cybersecurity events (brute force attack event, cyberattack event, quarantine event), digital input, manual trigger, motion detection, periodical trigger, recording notification, SD card life expectancy, shock detection, system boot       |
| Event Action                | Event notification via audio clip, digital output, email, HTTP, FTP, NAS server, SD card<br>File upload via email, HTTP, FTP, NAS server, SD card   |
| <b>General</b>              |   |
| Connectors                  | RJ-45 cable connector for 10/100 Mbps PoE network connection<br>Audio line input<br>Audio line output<br>AC 24V power input<br>DC 12V power input<br>Digital input *2<br>Digital output *2<br>TV output   |
| LED Indicator               | System power and status indicator   |
| Power Input                 | IEEE 802.3at Class 4 PoE, DC 12V, AC 24V<br>(Simultaneous Power Redundancy Supported)   |
| Power Consumption           | PoE: Max. 21/17 W (IR on/off)<br>DC 12V: Max. 18/14 W (IR on/off)<br>AC 24V: Max. 19.5/15.5 W (IR on/off)   |
| Dimensions                  | Ø 155 x 103.2 mm  |
| Weight                      | 909 g   |
| Certifications              | EMC: CE (EN 55032 Class A, EN 55024), FCC (FCC Part 15 Subpart B Class A), RCM (AS/NZS CISPR 32 Class A), VCCI (VCCI-CISPR 32 Class A); Safety: UL (UL 62368-1), CB (IEC/EN 62368-1, IEC/EN 60950-22, IEC/EN 62471); Environment: IK10 (IEC 62262), IP66/67 (IEC 60529); IA: BIS (IS 13252) |
| Operating Temperature       | Starting Temperature:<br>-40°C ~ 50°C (-40°F ~ 122°F)<br>Working Temperature:<br>-50°C ~ 60°C (-58°F ~ 140°F) (IR off)<br>-50°C ~ 50°C (-58°F ~ 122°F) (IR on)  |
| Humidity                    | 98%   |
| Warranty                    | 36 months   |
| <b>System Requirements</b>  |   |
| Operating System            | Microsoft Windows 10/8/7<br>Mac 10.12 (Chrome only)   |
| Web Browser                 | Chrome 58.0 or above<br>Internet Explorer 11  |
| Other Players               | VLC: 1.1.11 or above  |
| <b>Included Accessories</b> |   |
| Packing Contents            | Quick installation guide, alignment sticker, screw pack, desiccant bag, waterproof accessory bag, conduit ring  |




# Dimensions



# Compatible Accessories

**Mounting Kits**



AM-21A  
L-shape Bracket

**Mounting Kits**



AM-51C  
Adapting Plate

**Mounting Kits**



AM-525  
Mounting Adapter

**Mounting Kits**



AM-713  
Conduit Box (IP66)