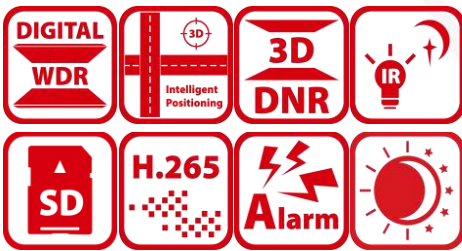


## DS-2DE5220IW-AE 2 MP 20 × IR Network Speed Dome



Hikvision DS-2DE5220IW-AE IR Network Speed Domes adopt 1/2.8" progressive scan CMOS chip. With the 20× optical zoom lens, the camera offers more details over expansive areas.

This series of cameras can be widely used for wide ranges of high-definition, such as the rivers, forests, roads, railways, airports, ports, squares, parks, scenic spots, stations and large venues.

- 1/2.8" progressive scan CMOS
- Up to 1920 × 1080 resolution
- 20 × optical zoom, 16× digital zoom
- Digital WDR
- 3D intelligent positioning function
- 24 VAC & Hi-PoE
- Up to 150 m IR distance
- Support H.265 video compression



## Specifications

Camera Module	
Image Sensor	1/2.8" progressive scan CMOS
Min. Illumination	Color: 0.05 Lux @(F1.6, AGC ON) B/W: 0.01 Lux @(F1.6, AGC ON) 0 Lux with IR
White Balance	Auto/Manual/ATW (Auto Tracking White Balance)/Indoor/Outdoor/Fluorescent Lamp/Sodium Lamp
Gain	Auto/Manual
Shutter Time	1 to 1/30,000 s
Day & Night	IR Cut Filter
Digital Zoom	16 ×
Privacy Mask	8 programmable privacy masks
Focus Mode	Auto/Semi-automatic/Manual
Digital WDR	Yes
Lens	
Focal Length	4.7 to 94 mm, 20 × optical zoom
Zoom Speed	Approx. 3 s (optical lens, wide-tele)
Field of View	58.3° to 3.2° (wide-tele)
Working Distance	10 to 1000 mm (wide-tele)
Aperture Range	F1.6 to F3.5
PTZ	
Movement Range (Pan)	360° endless
Pan Speed	Configurable, from 0.1°/s to 400°/s Preset speed: 400°/s
Movement Range (Tilt)	From -15° to 90° (auto reverse)
Tilt Speed	Configurable, from 0.1°/s to 200°/s Preset speed: 200°/s
Presets	300
Patrol Scan	8 patrols, up to 32 presets for each patrol
Pattern Scan	4 pattern scans, record time over 10 minutes for each scan
Park Action	Preset/Pattern Scan/Patrol Scan/Auto Scan/Tilt Scan/Random Scan/Frame Scan/Panorama Scan
Scheduled Task	Auto Scan/Frame Scan/Random Scan/Patrol/Pattern/Preset/Panorama Scan/Tilt Scan/Dome Reboot/Dome Adjust/Aux Output
IR	
IR Distance	Up to 150 m
IR Intensity	Automatically adjusted, depending on the zoom ratio

Compression Standard	
Video Compression	Main Stream: H.265+/H.265/H.264+/H.264 Sub-Stream: H.265/H.264/MJPEG Third Stream: H.265/H.264/MJPEG
H.264 Type	Baseline profile/main profile/high profile
Audio Compression	G.711alaw/ G.711ulaw/ G.722/ G.726/ MP2L2/ PCM
Smart Features	
Smart Detection	Intrusion Detection, Line Crossing Detection
ROI Encoding	Main stream, sub-stream and third stream respectively support two fixed areas
Image	
Max. Resolution	1920 × 1080
Main Stream	50Hz: 25fps (1920 × 1080, 1280 × 960, 1280 × 720); 50fps (1280 × 960, 1280 × 720) 60Hz: 30fps (1920 × 1080, 1280 × 960, 1280 × 720); 60fps (1280 × 960, 1280 × 720)
Sub-Stream	50Hz: 25fps (704 × 576, 640 × 480, 352 × 288) 60Hz: 30fps (704 × 480, 640 × 480, 352 × 240)
Third Stream	50Hz: 25fps (1920 × 1080, 1280 × 960, 1280 × 720, 704 × 576, 640 × 480, 352 × 288) 60Hz: 30fps (1920 × 1080, 1280 × 960, 1280 × 720, 704 × 480, 640 × 480, 352 × 240)
Image Enhancement	Defog, HLC, BLC, 3D DNR
Network	
Network Storage	Built-in memory card slot, support Micro SD/SDHC/SDXC, up to 128 GB; NAS (NFS, SMB/ CIFS), ANR
Alarm Linkage	Alarm actions, such as Preset, Patrol Scan, Pattern Scan, Memory Card Video Record, Trigger Recording, Notify Surveillance Center, Upload to FTP/Memory Card/NAS, Send Email.
Protocols	IPv4/IPv6, HTTP, HTTPS, 802.1X, QoS, FTP, SMTP, UPnP, SNMP, DNS, DDNS, NTP, RTSP, RTP, TCP, UDP, IGMP, ICMP, DHCP, PPPoE
API	ONVIF (Profile S, Profile G, Profile T), ISAPI, SDK
Simultaneous Live View	Up to 20 channels
User/Host	Up to 32 users 3 user levels: administrator, operator and user
Client	iVMS-4200, iVMS-4500, iVMS-5200
Security Measures	User authentication (ID and PW), Host authentication (MAC address); HTTPS encryption; IEEE 802.1x port-based network access control; IP address filtering
Web Browser	IE 8 to 11, Chrome 31.0+, Firefox 30.0+, Edge 16.16299+
Interface	
Alarm Interface	2-ch alarm input and 1-ch alarm output
Audio Interface	1-ch audio input and 1-ch audio output
Network Interface	10 Base-T/100 Base-TX, RJ45 connector
RS485	Half duplex, HIKVISION, Pelco-P, Pelco-D, self-adaptive
CVBS	1.0V[p-p]/75 Ω, NTSC (or PAL) composite, BNC

## General

Language (Web Browser Access)	32 languages. English, Russian, Estonian, Bulgarian, Hungarian, Greek, German, Italian, Czech, Slovak, French, Polish, Dutch, Portuguese, Spanish, Romanian, Danish, Swedish, Norwegian, Finnish, Croatian, Slovenian, Serbian, Turkish, Korean, Traditional Chinese, Thai, Vietnamese, Japanese, Latvian, Lithuanian, Portuguese (Brazil)
Power	24 VAC, 2.2 A, 50/60Hz and Hi-PoE, 42.5 to 57 VDC, 1.41 A Max. 32W including max. 8W for IR and max. 6W for heater.
Working Environment	Temperature: -30°C to 65°C (-22°F to 149°F), humidity: ≤ 90%
Protection Level	IP66 Standard; 4000V Lightning Protection, Surge Protection and Voltage Transient Protection
Dimension	Φ 185 mm × 330 mm (Φ 7.28" × 12.99")
Weight	Approx. 4 kg (8.82 lb.)

## DORI

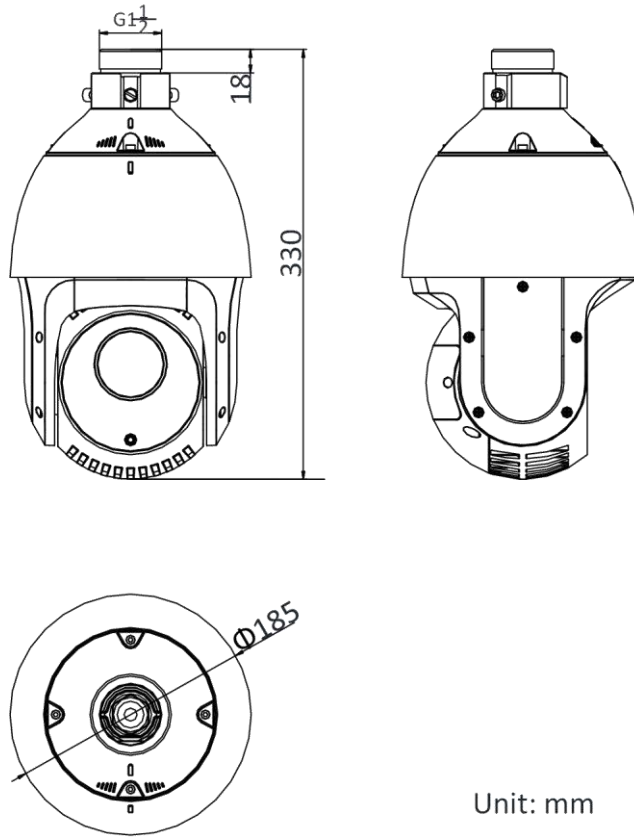
The DORI (detect, observe, recognize, identify) distance gives the general idea of the camera ability to distinguish persons or objects within its field of view. It is calculated based on the camera sensor specification and the criteria given by EN 62676-4: 2015.

DORI	Detect	Observe	Recognize	Identify
Definition	25 px/m	63 px/m	125 px/m	250 px/m
Distance (Tele)	1061.8 m (3483.7 ft)	421.4 m (1382.4 ft)	212.4 m (696.7 ft)	106.2 m (348.4 ft)

## Available Model

DS-2DE5220IW-AE, 24 VAC & Hi-PoE

**Dimensions**



Unit: mm

**Accessory**

**Optional**



**DS-1604ZJ  
Wall Mount**



**DS-1602ZJ  
Wall Mount**



**DS-1604ZJ-Box  
Wall Mount with Junction  
Box**



**DS-1604ZJ-Box-Corner  
Wall Mount with Junction  
Box**



**DS-1604ZJ-Pole  
Vertical Pole Mount**



**DS-1604ZJ-Box-Pole  
Vertical Pole Mount with  
Junction Box**



**DS-1604ZJ-Corner  
Corner Mount**



**DS-1661ZJ  
Pendant Mount**



**DS-1662ZJ**  
**Pendant Mount**



**DS-1667ZJ**  
**Extendable Pole for**  
**Pendant Mount**



**DS-1663ZJ**  
**Ceiling Mount**



**DS-1681ZJ**  
**Installation Adapter**



**DS-1619ZJ**  
**Gooseneck Mount**



**DS-160ZJ**  
**Parapet Wall Mount**



**HKA-A24250-230(EU)**  
**HKKD-12077(USA)**  
**HKA-A24250-230-BS(UK)**  
**PSE-A1525/5060(JP)**  
**Power Adapter**



**LAS60-57CN-RJ45**  
**Hi-PoE midspan**



**DS-1100KI**  
**Network Keyboard**



**DS-1005KI**  
**USB Joy-stick**

Distributed by

**HIKVISION®****Headquarters**

No.555 Qianmo Road, Binjiang District,  
Hangzhou 310051, China  
T +86-571-8807-5998  
overseasbusiness@hikvision.com

**Hikvision USA**  
T +1-909-895-0400  
sales.usa@hikvision.com

**Hikvision Australia**  
T +61-2-8599-4233  
salesau@hikvision.com

**Hikvision India**  
T +91-22-28468900  
sales@pramahikvision.com

**Hikvision Canada**  
T +1-866-200-8690  
sales.canada@hikvision.com

**Hikvision Thailand**  
T +662-275-9949  
sales.thailand@hikvision.com

**Hikvision Europe**  
T +31-23-5542770  
sales.eu@hikvision.com

**Hikvision Italy**  
T +39-0438-6902  
info.it@hikvision.com

**Hikvision Brazil**  
T +55 11 3318-0050  
Latam.support@hikvision.com

**Hikvision Turkey**  
T +90 (216)521 7070- 7074  
sales.tr@hikvision.com

**Hikvision Malaysia**  
T +601-7652-2413  
sales.my@hikvision.com

**Hikvision UK & Ireland**  
T +01628-902140  
sales.uk@hikvision.com

**Hikvision South Africa**  
Tel: +27 (10) 0351172  
sale.africa@hikvision.com

**Hikvision France**  
T +33(0)1-85-330-450  
info.fr@hikvision.com

**Hikvision Kazakhstan**  
T +7-727-9730667  
nikia.panfilov@hikvision.ru

**Hikvision Vietnam**  
T +84-974270888  
sales.vt@hikvision.com

**Hikvision UAE**  
T +971-4-4432090  
salesme@hikvision.com

**Hikvision Singapore**  
T +65-6684-4718  
sg@hikvision.com

**Hikvision Spain**  
T +34-91-737-16-55  
info.es@hikvision.com

**Hikvision Tashkent**  
T +99-97-1238-9438  
uzb@hikvision.ru

**Hikvision Hong Kong**  
T +852-2151-1761  
info.hk@hikvision.com

**Hikvision Russia**  
T +7-495-669-67-89  
saleru@hikvision.com

**Hikvision Korea**  
T +82-[0]31-731-8817  
sales.korea@hikvision.com

**Hikvision Poland**  
T +48-22-460-01-50  
info.pl@hikvision.com

**Hikvision Indonesia**  
T +62-21-2933759  
Sales.Indonesia@hikvision.com

**Hikvision Colombia**  
sales.colombia@hikvision.com